

2Wire Villa Video Door Phone User Manual

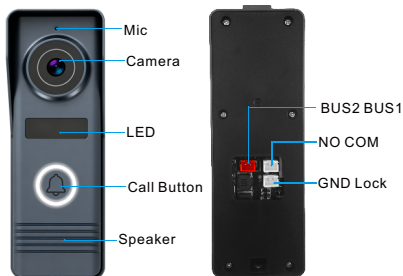


Please Read This User Manual Carefully Before Operation
And Follow The Professional Guidance Strictly

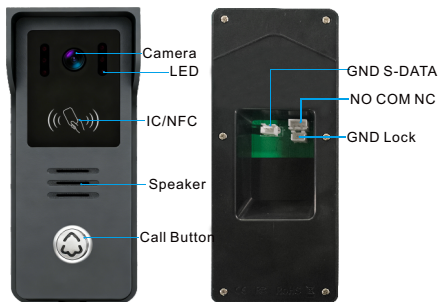
Contents

1. Overview — Call Panel	3
2. Overview — Indoor Monitor	4
3. Installation	6
4. System Diagram	7
5. Lock Wiring Diagram	8
6. Indoor Monitor Operation	13
7. FAQ	21
8. Warranty Card	22

Overview - Call Panel

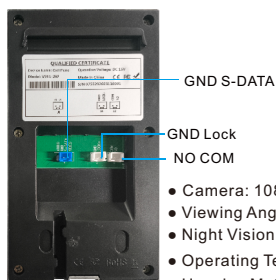
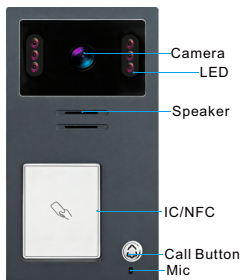


- Camera: 1080P with Auto Exposure
- Viewing Angle: 115°
- Night Vision: LEDs
- Operating Temperature: -40°C +70°C
- Housing Material: ABS Plastic+ Acrylic Lens Cover
- Color: Iron Grey Body + Black Cover
- Dimensions: 50(L) × 26(W) × 132(H) mm
- Installation: Wall-Mounted



- Camera: 1080P with Auto Exposure
- Viewing Angle: 115°
- Night Vision: LEDs
- Operating Temperature: -40°C +70°C
- Housing Material: ABS Plastic+ Zinc alloy ringbell
- Color: Iron Grey Body + Black Cover
- Dimensions: 62(L) × 37(W) × 160(H) mm
- Installation: Wall-Mounted

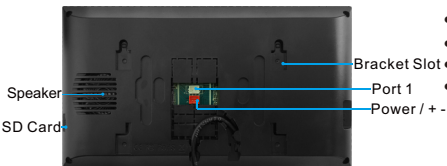
Overview - Call Panel



- Camera: 1080P with Auto Exposure
- Viewing Angle: 115°
- Night Vision: LEDs
- Operating Temperature: -40°C +70°C
- Housing Material: Aluminum Alloy + Zinc alloy ringbell
- Color: Iron Grey Body + Black Cover
- Dimensions: 90(L) × 23(W) × 163(H) mm
- Installation: Wall-Mounted

Overview - Indoor Monitor

7"



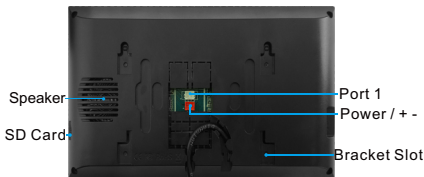
- Display: 7-inch IPS LCD (1024×600 Pixels) / Full Touch
- System: Linux System
- Network Transmission Mode: TCP/IP
- SD Card: Max 128GB Micro SD
- Color: Black
- Housing Material: ABS Plastic + PET Cover
- Power Supply: DC 12 - 24V Adaptor
- Operating Current: ≤500mA
- Dimensions: 218(L) × 20(W) × 123(H) mm
- Installation: Wall-mounted

Overview - Indoor Monitor

7"



- Display: 7-inch IPS LCD (1024×600 Pixels) / Full Touch
- System: Linux System
- Network Transmission Mode: TCP/IP
- SD Card: Max 128GB Micro SD
- Color: Black / Black + Silver Edge
- Housing Material: ABS Plastic
- Power Supply: DC 12 - 24V Adaptor
- Operating Current: ≤500mA
- Dimensions: 190(L) × 20(W) × 122(H) mm
- Installation: Wall-mounted

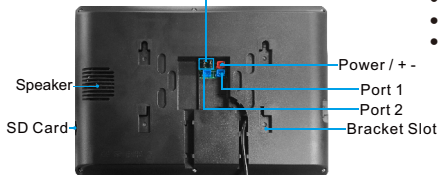


7"



- Display: 7-inch IPS LCD (1024×600 Pixels) / Full Touch
- System: Linux System
- Network Transmission Mode: TCP/IP
- SD Card: Max 128GB Micro SD
- Color: Black / Black + Silver Edge
- Housing Material: ABS Plastic
- Power Supply: DC 12 - 24V Adaptor
- Operating Current: ≤500mA
- Dimensions: 184(L) × 20(W) × 128(H) mm
- Installation: Wall-mounted

Port 2 Power Output Set



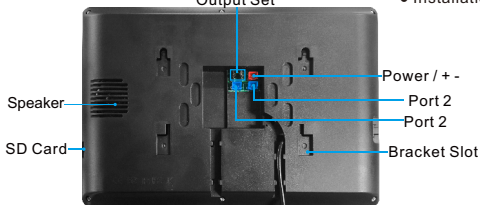
Overview - Indoor Monitor

10.1"



- Display: 10.1-inch IPS LCD (1280×800 Pixels) / Full Touch
- System: Linux System
- Network Transmission Mode: TCP/IP
- SD Card: Max 128GB Micro SD
- Color: Black
- Housing Material: ABS plastic + Glass Mirror
- Power Supply: DC 12 - 24V Adaptor
- Operating Current: ≤500mA
- Dimensions: 245(L) × 25(W) × 163(H) mm
- Installation: Wall-mounted

Port 2 Power Output Set



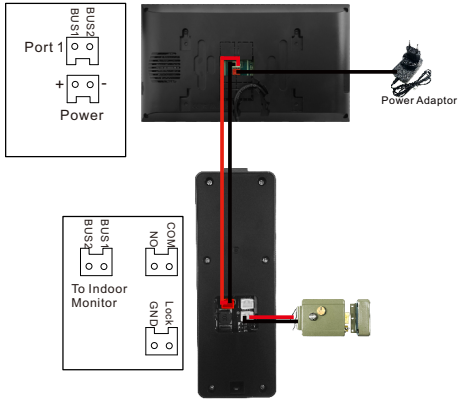
Call Panel Installation



Indoor Monitor Installation

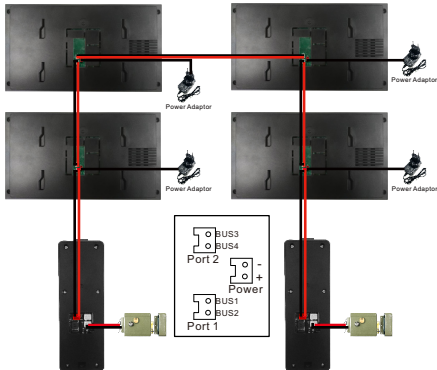


System Diagram(1 to 1)



Wiring Diagram(Max 2 to 4)

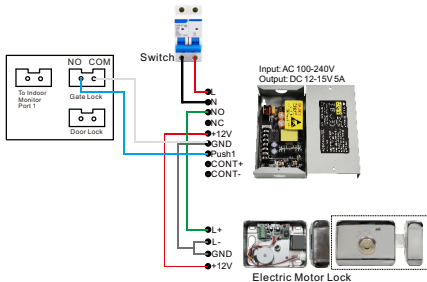
If need to connect with more monitors and call panels, it needs to be customized.



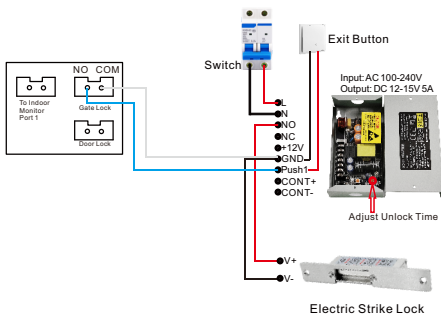
Lock Wiring Diagram



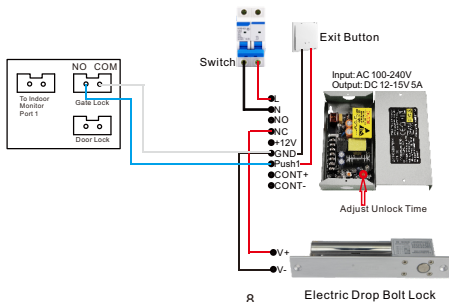
③



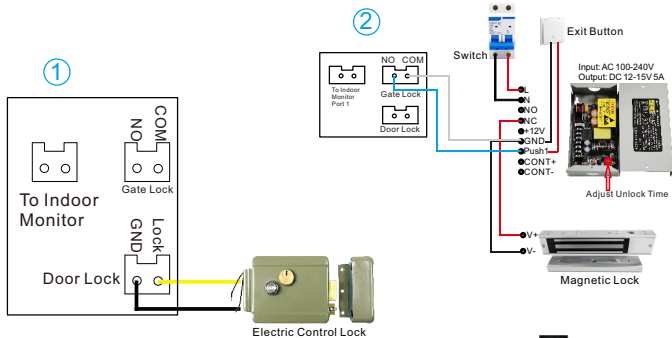
④



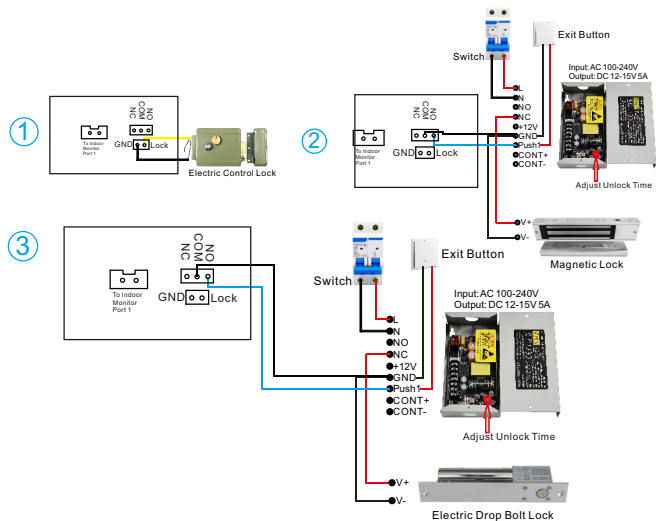
⑤



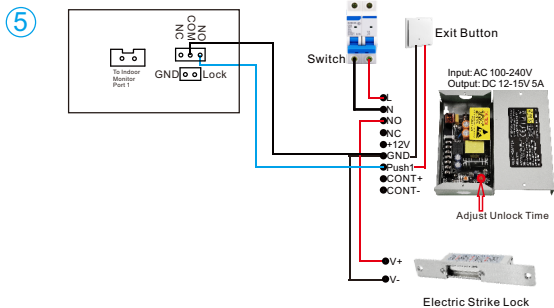
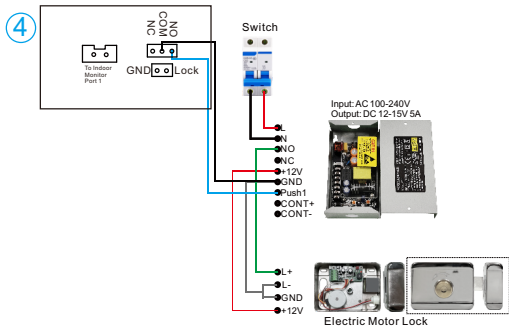
Lock Wiring Diagram



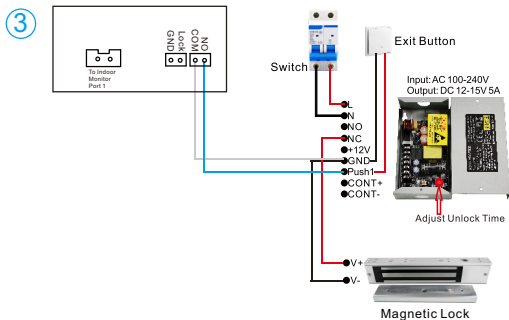
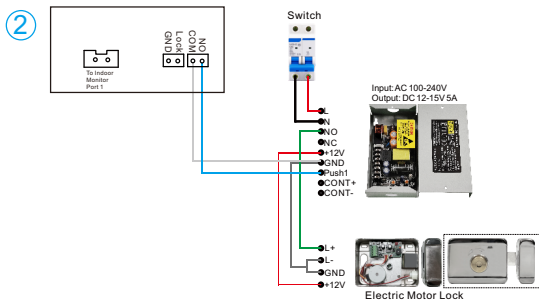
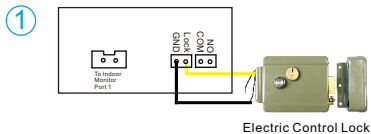
Lock Wiring Diagram



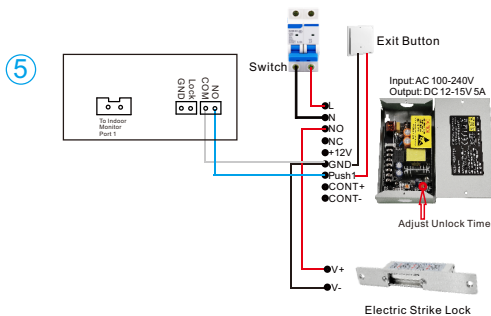
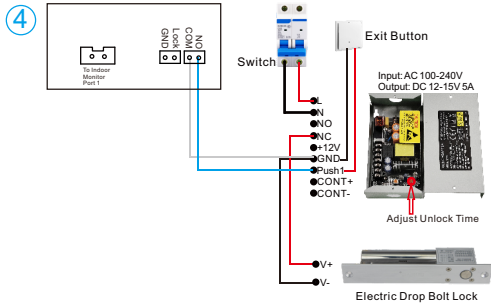
Lock Wiring Diagram



Lock Wiring Diagram



Lock Wiring Diagram



Indoor Monitor Operation

1.Homepage



1.1.Settings

Touch this icon to enter setting page.

1.2.Mute

Touch to turn on or off Silent mode.

1.3.Turn off

Touch to turn off the screen.

1.4.Intercom

Touch to call other indoor monitors.

1.5.Monitor

Touch to view live video of Call Panel.

1.6.Media

View videos and photos of call records.

1.7.Gate lock

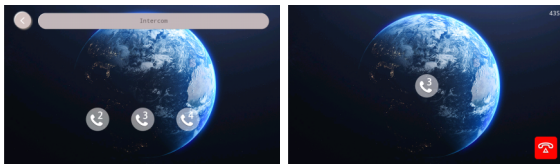
Open gate lock.

1.8.Door lock

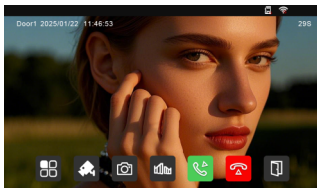
Open door lock.

2.Intercom

Tap to call Monitor 2, 3 or 4, if connected.



3.Monitor



Indoor Monitor Operation

3.1.Menu

Tap to adjust color, contrast, brightness and volume.

3.2.Video

Tap to start recording a video, and then one more touch to stop.

3.3.Photo

Tap to take a photo.

3.4.Gate lock

Tap to open gate lock.

3.6.Hang up

Tap to hang up the monitor.

3.5.Answer

Tap to start conversation.

3.7.Door lock

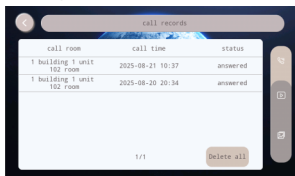
Tap to open door lock.

4.Media

View call records, videos and photos.

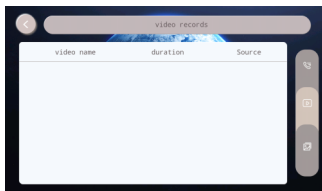
4.1.Call records

View call records. Tap delete all to delete all call records.



4.2.Video

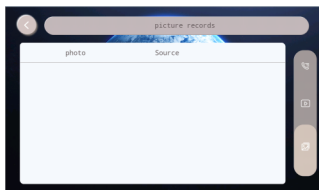
View video records. Tap Delete all to delete all videos.



4.3.Photo

View photo records. Tap Delete all to delete all photos.

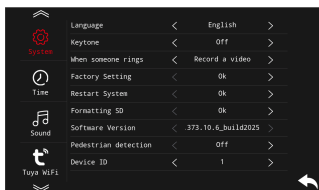
Indoor Monitor Operation



5.Settings

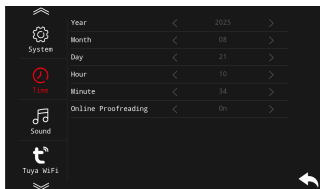
5.1.System

Set language, keytone, video or photo record, factory setting, restart system, formatting SD, pedestrian detection and device ID.



5.2.Time

Display time and date.



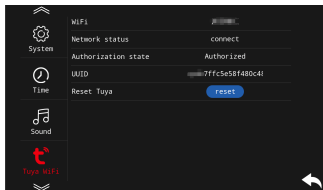
5.3.Sound

Set ringtone, ring volume and call volume.

Indoor Monitor Operation

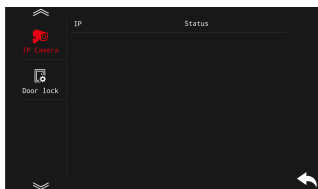
5.4.Tuya WiFi

WiFi connection state. Tap reset to unbind with App.



5.5.IP Camera

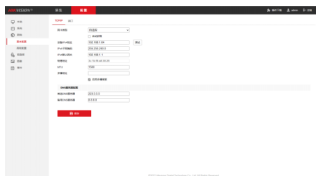
Connect IP cameras.



Connect the camera to the computer, and enter the camera's default IP address in the browser to access the management backend. The camera's IP address need to be set on the same subnet of WiFi before connecting.

5.5.1. Click to enter Configuration-Network-Basic Configuration.

Use a static IP, and set camera's IP to the same subnet as WiFi. And mask and gateway are the same as those of the WiFi router.



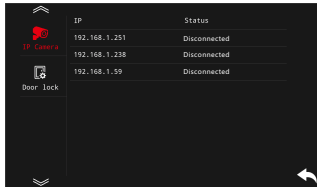
Indoor Monitor Operation

5.5.2. In Configuration-Network-Advanced Configuration; check Enable ONVIF; then click Add in the user list and enter a new username and password (for connecting to the intercom device). Click Save.(We need this ONVIF user name and password).



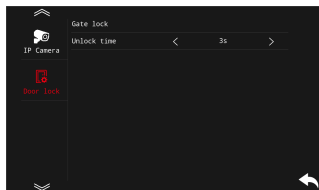
5.5.3. After the Indoor Monitor is successfully bound to Tuya, it will automatically display the IP address of the camera connected to the same Wi-Fi.

In Indoor Monitor - IP Camera settings, click the IP address of camera. And then, input the ONVIF username and password. After that, Enable and Save.



5.6.Door lock

Set unlock duration for Gate Lock on Call Panel.



Indoor Monitor Operation

5.7 Card Management

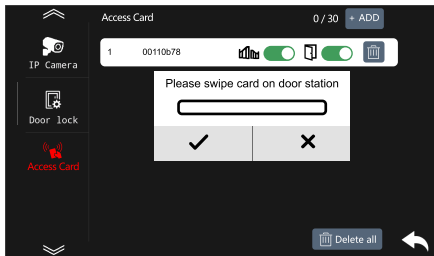
5.7.1 Click ADD to add a card;

Swipe a card on the Call Panel to get the card number;

Click ✓ to complete adding the card;

Click ADD again to add the next card.

5.7.2 Click Bin icon to delete a certain card, or click Delete all to delete all cards.



How to Connect with Mobile Tuya APP

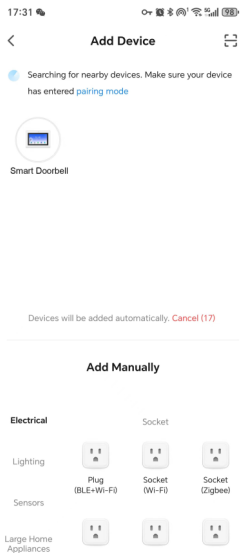
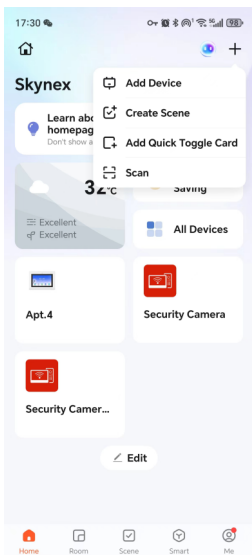
Step 1

The mobile phone should be connected to the same Wi-Fi network as the monitor. Then, download either "Tuya Smart" or "Smart Life-Smart Living" from Google Play or the App Store, and register or log into your account.



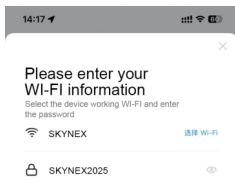
Step 2

Open the app and click "Add Device." It will then search for and pair with the device.



Step 3

Click on Smart Face to connect WiFi and to bind App.



How to Share to Other Users

Method 1

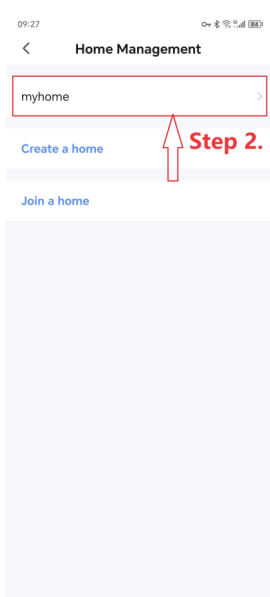
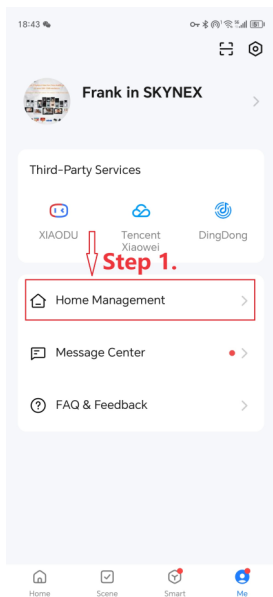
Log into your Tuya account on other family members' phones. A single account supports up to 200 mobile devices logged in simultaneously.

Method 2

Alternatively, add their accounts through your app (up to 20 members).

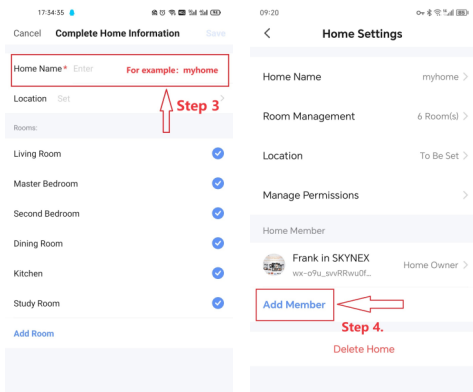
Steps 1

Go to "Me" > "Home Management."



Steps 2

You need to “Complete Home Information” if you haven’t used Tuya or Smart Life before. Name the family group something like “My Home.” Then, in “Home Settings,” add family members.



FAQ

NO	Malfunction	Reason	Solution
1	The call panel can't call the indoor monitor.	1. Poor cable quality. 2. Cable is broken somewhere.	1. Use good quality cable to connect. 2. Check cable if it's broken or connect well.
2	Why can't the lock be opened?	1. Lock is broken. 2. The wires are connected incorrectly.	1. Check if the lock is broken. 2. Please obtain and check the wiring diagram or video from technical support.
3	Why can't the indoor monitor connect to the Tuya app?	1. The Internet connection may be unstable.	1. Restart WiFi router and reconnect to WiFi. 2. Try again when the Internet is stable.

WARRANTY CARD

Buyer Company		Buyer Address	
Buyer Name		Buyer Mobile	
Date of Purchase		PI Invoice	
Product Name		Product Model	
Maintenance Record	Filing Date	Fault Description	

WARRANTY TERMS

This Video Door Phone Is Warranted To Be Free From Manufacturing Defects InMaterial & Workmanship For a Period Of 1 Year From The Date Of Purchase.

WARRANTY COVERAGE

- Manufacturing defects
- Functional failure under normal use
- Replacement or repair of defective components

This Warranty Does Not Cover :

- Damage due to misuse, mishandling, or improper installation
- Physical damage, water ingress, or electrical surges
- Unauthorized repairs or modifications
- Consumables such as cables, mounts, or power supplies

SERVICE & SUPPORT

In case of a defect, please contact the dealer or the authorized service center along with:

- This warranty card (duly filled and stamped)
- Original purchase invoice

Warranty service will be provided only upon presentation of valid documents.

DISCLAIMER

Contact for Support

For inquiries or disputes related to this manual, please contact our support team.

Documentation Updates

Device specifications and features are subject to change without prior notice due to continuous product development. To obtain the latest version of the manual in PDF format, please contact our support team.

Accuracy Notice

While every effort is made to ensure accuracy, discrepancies between the manual and actual device may exist. Refer to the device interface or packaging for current information.

Authorized Dealer Stamp & Signature

Date: __ / __ / ____

